

INTELLIRACK

Description

The IntelliRack is a powerful multiplexing device that allows a Liebert UPS of any size to communicate with a virtually unlimited number of computers.

The IntelliRack unit has five Intellislots for MultiPort 4 cards that can be connected to as many as four computers each. An IntelliRack unit with five MultiPort 4 cards installed will notify up to 20 computers of power failure and low battery conditions.

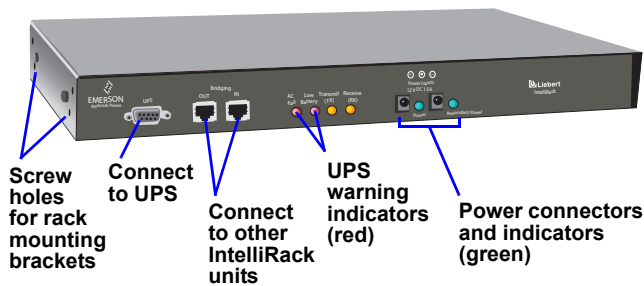
A built-in bridging capability permits daisy-chaining IntelliRack units together, accommodating a virtually unlimited number of computers—limited only by the capacity of the UPS.



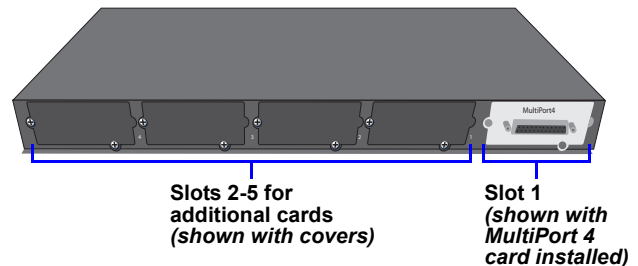
When a power failure or low battery arises in the UPS, the IntelliRack sends notifications to all systems connected to the IntelliRack. One example of a connected system is a network of computers running Liebert's MultiLink™ shutdown software.

For other applications, contact your local Liebert representative or call 1-800-222-5877.

FRONT VIEW



BACK VIEW



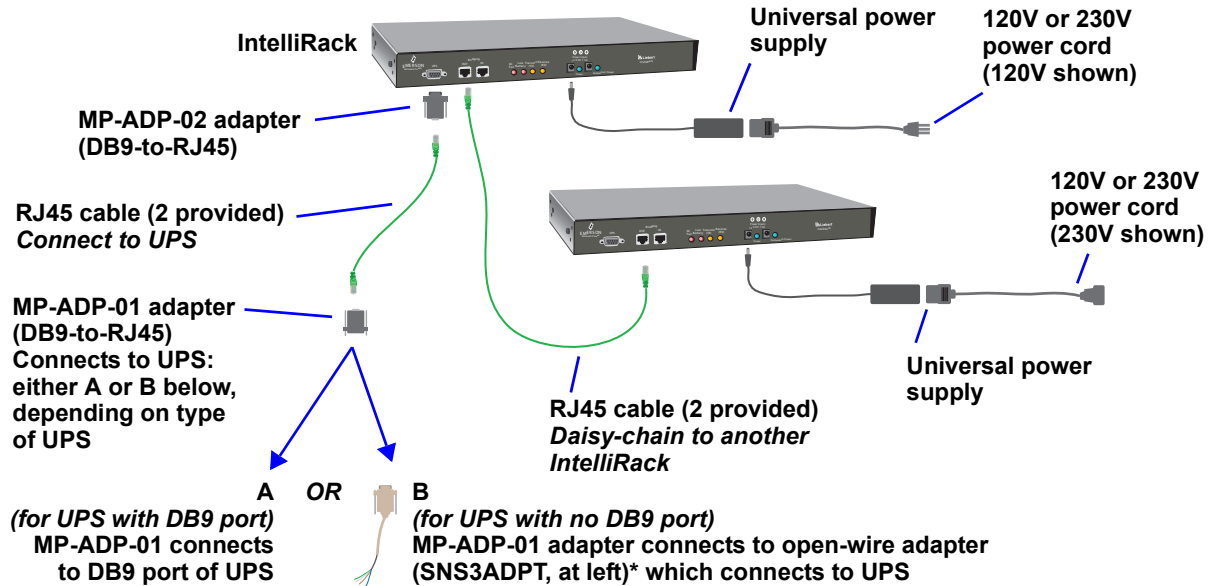
Features and Benefits

- 1U Rack Space
- 19" or 23" Rack Mounting Brackets
- Dual Power Supply Inputs
- Universal Power Supply
- Modular and Scalable
- Dedicated Communications from UPS to Each Computer
- LED Notification
- Multiple Operating System Support
- Daisy-Chain Modules
- Integration with MultiLink Automated Shutdown Software
- Unlimited Number of Computer Systems
- Connects to all Liebert UPS systems

Specifications

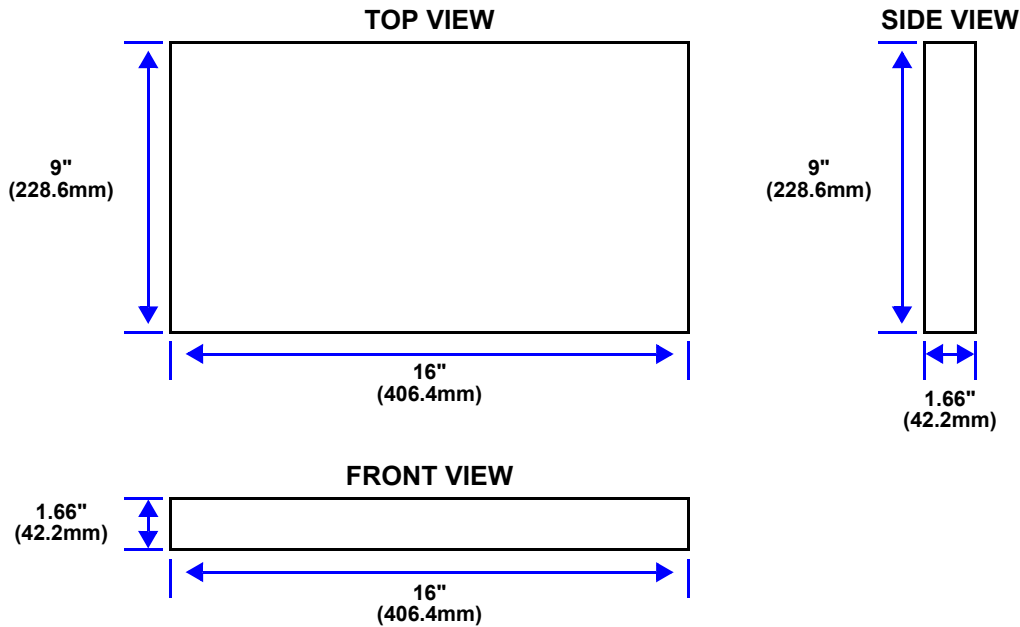
Power Requirements (2 inputs)	12VDC ±10% of nominal; 50/60 Hz, 1.5A, 18VA
Dimensions W x D x H, in. (mm)	16 x 9 x 1.66 (406.4 x 228.6 x 42.2)
Weight	9.9 lbs. (4.5 kg)
Mounting	19" or 23" rack mount or 23" desktop
Ambient Operating Environment	32°F to 104°F (0°C to 40°C) 0% RH to 95% RH (non-condensing)
Agency Listings	
UL	None
CSA	None
CE	None
FCC Compliance	None
Communication Ports (Quantity)	
DB9 (1)	To UPS; uses adapters (included)
RJ45 (2)	Bridges multiple IntelliRacks together; uses RJ45 cables (included)
Intellislots (5)	Hot-swappable ports

Hardware and Components



* Item purchased separately

Dimensions



Wiring Specifications

Connection	Provided / Purchased Separately	Maximum Length*
RJ45 cable to connect UPS to MultiPort	6 & 25 ft. (1.8 & 7.6m); 2 cables provided	300 ft. (91m)
RJ45 cable to connect Bridging Port		
MultiLink / AS400 cable	10 ft. (3m); Purchased separately	100 ft. (31m)

* For longer cables, refer to the IntelliRack user manual.

Ordering Information

Quantity	Part #	Description
	INTELLIRACK	IntelliRack unit, two DB9-to-RJ45 adapters, two RJ45 cables, a universal power supply and two line cords (120V & 230V)
	IRACKUNIVPS	Secondary power connection for the IntelliRack's redundant port (requires 12VDC)
	MULTIPORT4	MultiPort 4 kit with one MultiPort 4 card and one molded cable assembly with four connectors
	IRACKMLADPT	Liebert MultiLink Cable Adapter Kit with two DB9-to-RJ45 adapters